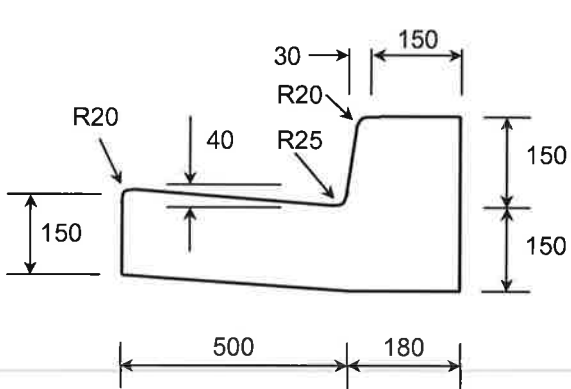
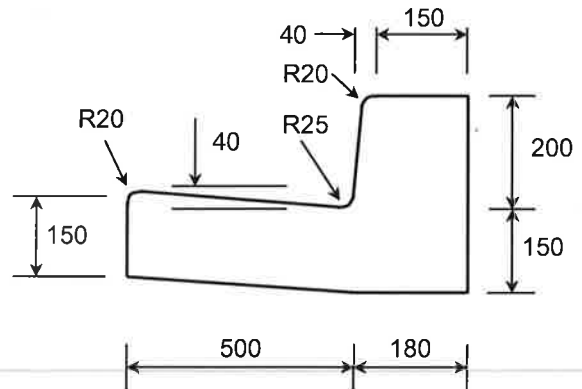


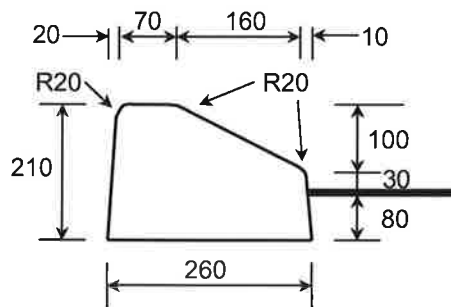
PLAN



150mm KERB & GUTTER



200mm KERB & GUTTER



MOUNTABLE TYPE KERB

NOTES:

1. Kerb and gutter shall be poured in **PLAIN CONCRETE** and finished with a steel trowel. Minimum compressive strength of concrete shall be 25MPa at 28 days.
2. The subgrade shall be thoroughly compacted by the use of vibratory compaction equipment until it shows no signs of movement, or as directed by Council.
3. Where Council or an Accredited Certifier (Civil Woks) directs that the gutter be retained, the contractor shall place a 75mm deep saw cut in the gutter invert and remove kerb and/or layback.
4. Where Council or an Accredited Certifier (Civil Woks) directs that the gutter be removed, a Road Opening Permit must be obtained from Council's Customer Service Centre prior to commencing work. Once the permit is established the contractor may commence vehicle crossing works. Upon completion of the works, temporary restoration shall be provided as set out in the 'Specification For Trench Construction Within Council Roads'.
5. The construction of all vehicle crossings and associated works on the road reserve must be completed by a Council approved concrete contractor.
6. EJ – Expansion Joint – 10mm Mastic.
R – Radius
DJ – Dummy Joint

Not to Scale. All Dimensions in Millimetres.

NORTHERN BEACHES COUNCIL	Plan No.
Standard Kerb & Gutter Detail	A4 2276/A

AMENDED: October 1990, December 2006